



MOTORISED / MANUAL SAFETY TRUCK LOCK



GANDHII
Automations Pvt Ltd

India's **No.1** Entrance Automation & Loading Bay Equipment Company

Safety Truck Lock



The manual and motorised safety truck lock series is a low profile, non-impact design vehicle restraint featuring the Hydraulic / Mechanical floating system, a large spring-loaded barrier that automatically adjusts to various truck heights, maintaining positive contact during loading operations at all times.

Both Motorised and manual model can secure trailer with over 14.5 tons of restraining force. The barrier housing stores at only 225mm above grade, staying clear of incoming trucks, and has a vertical working range of 760mm above grade to safely engage even that highest of rear impact guards.

Gandhi Motorised & Manual Safety truck lock are designed to provide the highest level of safety based on your application. Safety truck lock are the only truck resistance in the industry that provide full-time communication of the lock's engagement status to the forklift driver.

Gandhi Motorised and manual truck lock offers the best protection against all type of trailer separation accidents dock lock are designed for impact and to withstand the loading dock environment while also featuring the most universal hook widest operating range enhanced track and stronger slope extension.

A loading dock separation accident is one in which a truck moves away from the dock while a forklift operator is unloading or loading the truck. Loading dock separation accidents can cause serious, long-term injuries or, even worse, fatalities for forklift operators.

There are extremely common kinds of loading dock separation accident like Early Departure, trailer creep, Trailer tip over etc that can happen, but preventative safety measures can minimize the risk of them happening in your facility.

Full time protection, full time communication only with Gandhi Motorised and manual safety truck lock.

MANUAL SAFETY TRUCK LOCK

MOTORISED SAFETY TRUCK LOCK



Control Card



Traffic Light

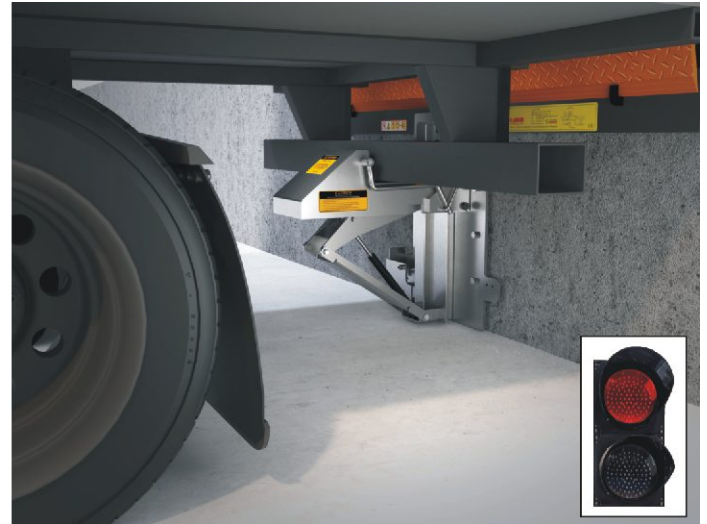


Control Card

- Non-Impact Design
- Barrier Stores 225mm high to Escape impact from low rear impact guards
- Barrier Sensor Communicates Positive Lock Position
- Barrier Automatically Adjusts to Truck Movement During Loading
- Vertical locking hook secures virtually all rear impact guards with in excess of 14.5 Tons of Restraining Force
- Easy to Install and Simple to Operate
- IP66 Control card enclosure
- Self Cleaning Guide Track
- Vertical Operating Range from 225mm to 760mm
- Easy to Install & Simple to Operate
- Inside and Outside Traffic Lights for Loading and unloading communication
- Virtually No Required Maintenance
- Housing Encloses Working Parts From Inclement Weather and Debris
- All Weather Hot Dip Galvanised components for Superior Durability
- Mounting Force in Excess of 45 Tons

Product application and specification





Motorised Safety Truck Lock Operation

The trailer is backed into position at the loading dock leveler until contacting the dock bumpers. The driver sets the brakes and chocks the wheels. The dock attendant pushes a control button that activates the safety truck lock barrier that will rise in the vertical track until contacting the rear impact guard and securing the trailer to the loading dock leveler. An override selector button will allow a bypass operation of the dock leveler while maintaining a red external signal light. The barrier provides a restraining force in excess of 14.5 tons. Adjusting automatically to trailer float during loading and unloading ensuring the trailer is fully restrained at all times. When loading/unloading is completed the dock attendant stores the barrier using the release button.

Manual Safety Truck Lock Operation

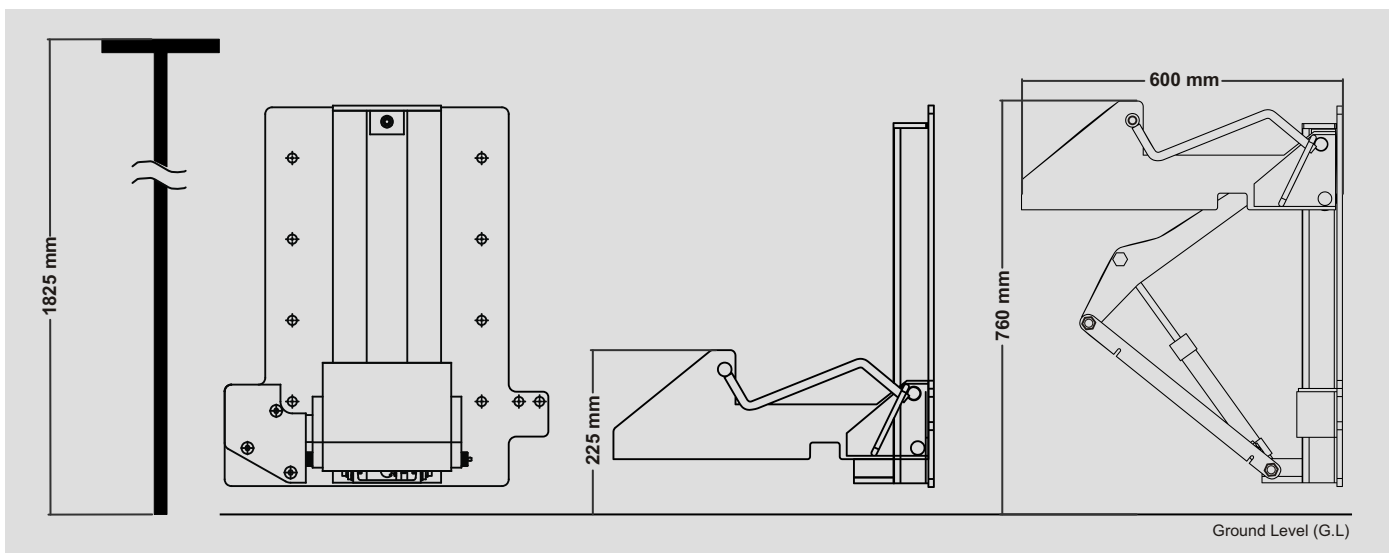
The trailer is backed into position at the loading dock leveler until contacting the dock bumpers. The driver sets the brakes and chocks the wheels. The dock attendant using the control bar activates the safety truck lock barrier that will rise in the vertical track until contacting the rear impact guard and securing the trailer to the loading dock leveler. The barrier provides a restraining force in excess of 14.5 tons.

Adjusting automatically to trailer float during loading and unloading ensuring trailer is fully restrained at all times. The restraint monitors for abnormal conditions and indicates it is unsafe to load with an inside red light if the rear impact guard is not detected. An override control is provided for use after a proper lock is determined by the dock attendant.

Communication

Safety equipment includes flashing red or green inside and outside lights, operator instructions and outside mounted sign with forward and reverse lettering for truck driver.

Product Dimension





STAR EXPORT HOUSE
(Government of India Recognised)



ISO 9001 : 2015, ISO 14001 : 2015
ISO 45001 : 2018

Gandhi Automations operates a policy of continuous development and reserves the right to make technical modifications / replacements without prior notice.



Automations Pvt Ltd

India's No.1 Entrance Automation & Loading Bay Equipment Company

CORPORATE OFFICE

Chawda Commercial Centre, Link Road, Malad (W), Mumbai-400064, India

Tel : +91 22 6672 0200 / 6672 0300 (200 Lines)

Fax : +91 22 6672 0201

Email : sales@geapl.co.in

Website: www.geapl.co.in



TOLL FREE

1800 209 0200

From Anywhere in India

Ahmedabad - 93273 01555
Bengaluru - 93435 09090
Bhopal - 93292 94939
Bhubaneswar - 93385 69889
Chandigarh - 93176 41324
Chennai - 93809 31777
Coimbatore - 93452 99944
Goa - 93731 37970
Guwahati - 93248 98159

Hyderabad - 93473 75737
Indore - 93034 64410
Jaipur - 93520 41024
Jamshedpur - 93219 76556
Kochi - 93882 04774
Kolkata - 93300 60855
Lucknow - 93055 67760
Mangalore - 93797 41352
Nagpur - 93250 45410

New Delhi - 93131 99044
Patna - 93219 76557
Pune - 93245 30710
Raipur - 93524 40068
Ranchi - 93044 95570
Surat - 93270 97410
Vadodara - 93756 41357
Visakhapatnam - 93463 34102